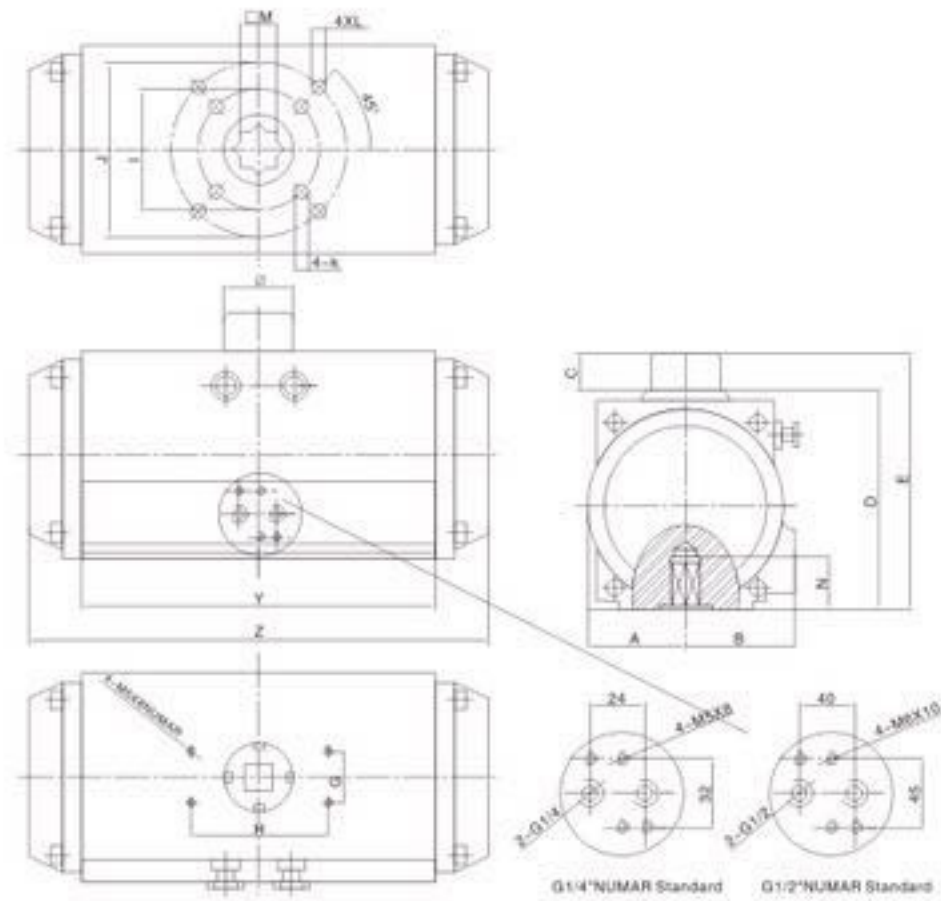


◆ GENERAL DRAWING



RTC[®]
 ATYCO Fluid Control

**ATYCO
 PNEUMATIC ACTUATOR**



Model	A	B	C	D	E	G	H	I	J	K	L	M	N	Z	Φ	Air Supply
ATY32	22.5	22.5	20	45	65	30	50	-	F03	-	M5×8	9×9	15	126	Φ34	NAMUR G1/8"
ATY40	23	33.5	20	60	87	30	50	F03	F05	M5×8	M6×10	11×11	13	124	Φ34	NAMUR G1/8"
ATY52	30	41	20	72	99	30	80	F03	F05	M5×8	M6×10	11×11	15	154	Φ34	NAMUR G1/4"
ATY63	36	46	20	89	115	30	80	F05	F07	M6×10	M8×12	14×14	15	174	Φ34	NAMUR G1/4"
ATY75	42	52	20	100	126	30	80	F05	F07	M6×10	M8×12	14×14	15	185	Φ34	NAMUR G1/4"
ATY83	46	55	20	109	137	30	80	F05	F07	M6×10	M8×12	14×14	15	216	Φ34	NAMUR G1/4"
ATY92	51	57.5	20	117	144	30	80	F05	F07	M6×10	M8×12	17×17	17	271	Φ41	NAMUR G1/4"
ATY105	58	64	20	134	161	30	80	F07	F10	M8×12	M10×16	22×22	25	279	Φ41	NAMUR G1/4"
ATY125	67.5	70	30	157	197	30	80	F07	F10	M8×12	M10×16	22×22	25	312	Φ41	NAMUR G1/4"
ATY140	76	77	30	174	209	30	130	F10	F12	M10×16	M12×20	27×27	30	404	Φ41	NAMUR G1/4"
ATY160	86.5	87.5	30	199	237	30	130	F10	F12	M10×16	M12×20	27×27	30	468	Φ41	NAMUR G1/4"
ATY190	103	103	30	233	270	30	130	F10	F12	M10×16	M12×20	36×36	34	537	Φ62	NAMUR G1/4"
ATY210	113	113	30	257	295	30	130	-	F12	-	M12×20	36×36	34	540	Φ79	NAMUR G1/4"
ATY240	129	129	30	293	332	30	130	-	F16	-	M20×24	36×36	34	602	Φ79	NAMUR G1/4"
ATY270	146	146	30	333	371	30	130	-	F16	-	M20×24	46×46	52	732	Φ79	NAMUR G1/4"

**TAIWAN ATYCO FLUID CONTROL
 EQUIPMENT INTERNATIONAL
 COMPANY LIMITED**

TAIWAN ATYCO FLUID CONTROL EQUIPMENT INTERNATIONAL COMPANY LIMITED
 Liaoning Yuanlu Machinery Equipment Manufacturing Co., Ltd.
 Address: 55 Gongnong Road, Zhanqian District, Yingkou City, Liaoning Province, China
 TEL: +008613332319780 FAX: +00860417-3535904
 Website: www.atyco.cn Email: atycoln@163.com

ATYCO FLUID CONTROL

Operating conditions:

1. Operating media

Dry or lubricated air, or the non-corrosive gases. The maximum particle diameter must less than 30 μm

2. Air supply pressure

The minimum supply pressure is 2 Bar. The maximum supply pressure is 8 Bar.

3. Operating temperature

Standard: $-20^{\circ}\text{C}\sim+80^{\circ}\text{C}$ Low temperature: $-40^{\circ}\text{C}\sim+80^{\circ}\text{C}$ High temperature: $-20^{\circ}\text{C}\sim+160^{\circ}\text{C}$

4. Travel adjustment

Have adjustment range of $\pm 5^{\circ}$ for the rotation at 0° and 90°

5. Application

Either indoor or outdoor

Operating type:

Double acting and spring return



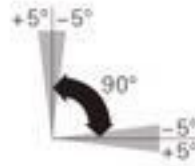
Air supply connection is designed in accordance with NAMUR Standard to install solenoid valves.



The Namur drive pinion and the Namur top mounting connection permit direct installation of accessories such as limit switch box and positioner.



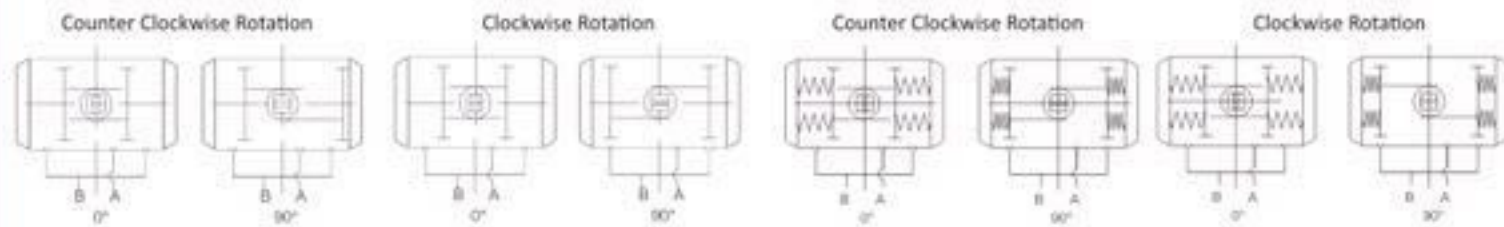
Bottom mounting connection is designed in accordance with ISO5211 and DIN3337 standards for direct mounting with valve gear boxes or mounting brackets.



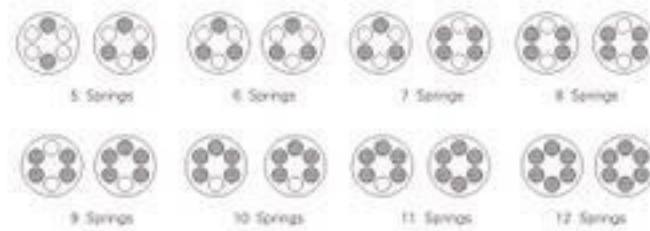
Working Principle:

Double acting

spring return



Spring Positions of Spring Return Actuators



ATYCO PNEUMATIC ACTUATOR

◆ Double Acting Actuator Output Torque(Unit:Nm)

Model	Input air supply pressure(unit:Bar)						
	2	3	4	5	6	7	8
ATY32DA	3.1	4.7	6.2	7.8	9.4	11	12.5
ATY52DA	8.5	12.7	17	21.2	25.5	29.7	34
ATY63DA	15	22.5	30	37.5	44.9	52.4	59.7
ATY75DA	21	31.8	42.4	53	63.6	74.2	84.8
ATY83DA	32.5	48.7	65	81.2	97.4	113.7	130
ATY92DA	46.5	69.8	93	116.3	140	162.9	186
ATY105DA	69.3	104	138.5	173.2	207.8	242.5	277
ATY125DA	108	162	216	270	324	378	432
ATY140DA	184.7	277	369.5	461.8	554	646.5	739
ATY160DA	281.5	422	563	704	844	985	1126
ATY190DA	453	680	907	1135	1361	1587	1814
ATY210DA	554	831	1108	1384	1662	1939	2216
ATY240DA	814	1221	1628	2035	2442	2849	3256
ATY270DA	1236	1854	2472	3090	3708	4326	4944

◆ Spring Return Actuator Output Torque(Unit:Nm)

Model	Spring Qty	Output torque of air to spring												Output torque spring	
		3Bar		4Bar		5Bar		6Bar		7Bar		8Bar			
		0° Start	90° End	0° Start	90° End	0° Start	90° End	0° Start	90° End	0° Start	90° End	0° Start	90° End	0° Start	90° End
ATY52SR	10	/	/	9.1	6.2	13.3	10.4	17.6	14.7	21.8	18.9	26.1	23.2	10.8	7.9
ATY63SR	10	/	/	16.4	10.0	23.8	17.5	31.3	25.0	38.8	32.5	46.3	40.0	19.9	13.6
ATY75SR	10	/	/	29.2	18.5	41.6	30.9	53.9	43.3	66.3	55.7	78.7	68.0	30.9	20.3
ATY83SR	10	/	/	35.2	21.9	51.5	38.1	67.7	54.4	83.9	70.6	100.2	86.8	43.0	29.7
ATY92SR	10	/	/	49.5	32.5	72.8	55.8	96.0	79.0	119.3	102.3	142.6	125.6	60.6	43.6
ATY105SR	10	/	/	59.9	46.2	94.6	80.8	129.2	115.5	163.9	150.1	198.5	184.7	92.3	78.6
ATY125SR	10	/	/	139	86	201	147	262	209	323	270	385	331	160	106
ATY140SR	10	/	/	191	103	284	195	376	288	469	380	561	472	267	178
ATY160SR	10	/	/	291	162	432	303	573	443	713	584	854	725	401	272
ATY190SR	10	/	/	443	210	670	437	897	664	1124	891	1351	1117	697	464
ATY210SR	10	/	/	653	313	965	625	1276	937	1588	1248	1900	1560	934	594
ATY240SR	10	/	/	949	355	1437	844	1926	1333	2415	1821	2903	2310	1599	1005
ATY270SR	10	/	/	1488	682	2175	1369	2862	2056	3549	2743	4237	3430	2066	1260